



اعتماد جديد

الجهة	شركة الهدبان لادوات ومعدات الامن والسلامه		
الموضوع	اعتماد رؤوس مرشات حريق من الشركة الإماراتية Al Rayan Security & Safety Trading انتاج الصين تحت المسمى التجاري (secure) بناء على قرار لجنة المعدات رقم 2023/2 بتاريخ 2023/2/13		
تاريخ الاعتماد	14/2/2023	تاريخ انتهاء الاعتماد	13/2/2025

بيانات الاعتماد:

S. NO.	Model	Type	Response Type	K-factor	Temp.Rating(°C)		Working Pressure (PSI)	UL Cert.
					Cover	Sprinkler		
1	SE003U	Upright	S.R	5.6	---	68	175	EX27901
2	SE003U	Upright	S.R	5.6	---	79	175	
3	SE005P	Pendant	S.R	5.6	---	68	175	
4	SE006P	Pendant	Q.R	5.6	---	68	175	
5	SE008C	Conc.Pendant	Q.R	5.6	57	68	175	
6	SE001H*#	Horizontal sidewall	S.R	5.6	---	68	175	
7	SE002H*#	Horizontal sidewall	S.R	5.6	---	79	175	

شروط عامة :

- 1) صلاحية الاعتماد مرتبطة باستمرارية الوكالة.
- 2) ابلاغ قوة الإطفاء العام في حال الغاء او تجديد او تعديل الوكالة.
- 3) أن يحمل المنتج اسم وموديل وشعار المختبر ورقم التسجيل.

وتفضلوا بقبول فائق الاحترام،،،

نائب الرئيس لقطاع الوقاية

م. د. أحمد سمير البلوشي
رئيس مكتب اعتماد معدات الإطفاء



مقدم إطفاء

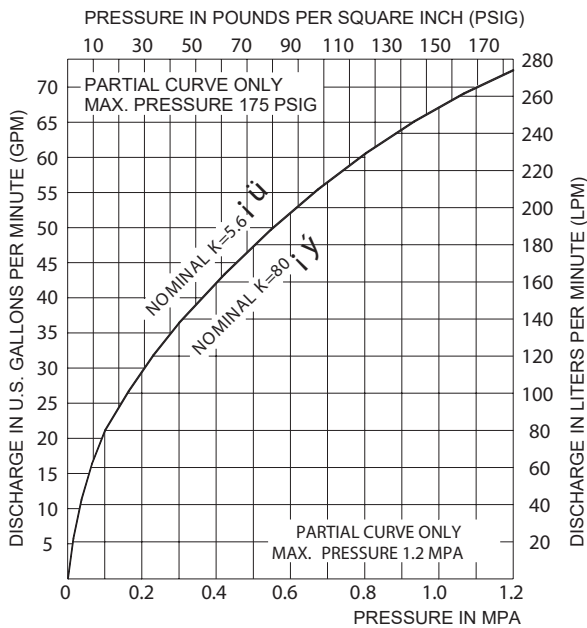
مهندس / أحمد سمير البلوشي
رئيس قسم اعتماد معدات الإطفاء



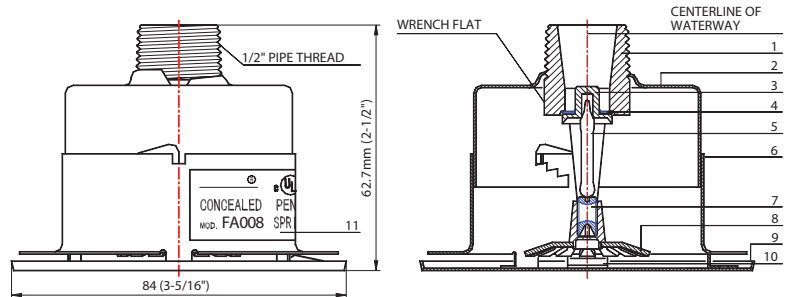
Sprinkler System

SE007C / SE008C CONCEALED PENDENT SPRINKLER STANDARD SPRAY / QUICK RESPONSE

Nominal Discharge curve:



Dimensions:



- 1.FRAME 2.MOUNTING CUP 3.BUTTON 4.SPRING SEAL 5.GLASS BULB 6.ENCLOSURE
- 7.SET SCREW 8.DEFLECTOR 9.COVER PLATE 10.EJECTION SPRING 11.LABEL

FIGURE B: NOMINAL DISCHARGE CURVE

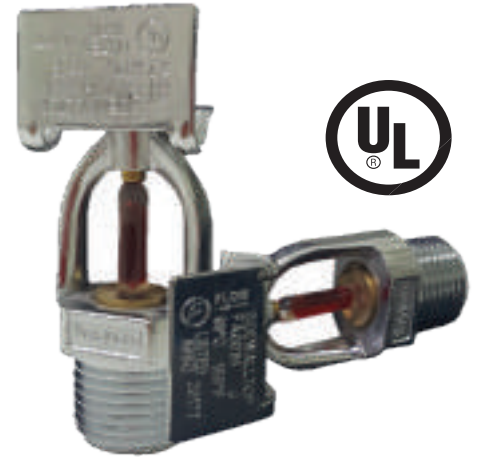
$$Q = K (P)^{0.5}$$

Technical Specification:

Model & Sprinkler I.D. No.	SE007C		SE008C	
Style	Concealed Pendent			
Response & Bulb Nominal Dia.	Standard Response, Ø5mm		Quick Response, Ø3mm	
Temp. Classification	Ordinary	Ordinary	Intermediate	Intermediate
Sprinkler Nominal Temp. Rating	135°F / 57°C	155°F / 68°C	175°F / 79°C	200°F / 93°C
Cover Plate Nominal Temp. Rating	135°F / 57°C	135°F / 57°C	155°F / 68°C	155°F / 68°C
Max. Ambient Temp. Allowed ²	115°F / 46°C	135°F / 57°C	155°F / 68°C	180°F / 82°C
Max. Recommended Ambient Temp. ³	100°F / 38°C	100°F / 38°C	150°F / 65°C	150°F / 65°C
Glass Bulb Color ⁴	Orange	Red	Yellow	Green
Thread Size [Optional]	NPT1/2 or R1/2 ⁵			
Nominal Orifice Size	1/2 Inch			
Nominal K-Factor ¹	5.6 (U.S.) / 80 (metric)			
Max. Working Pressure	175 psig / 1.2 MPa (12 bar)			
Factory Hydrostatic Test	100% @ 500psig (3.4 MPa)			
Min. Operating Pressure	7 psig / 0.048 MPa (0.48 bar)			
Sprinkler Finish [Optional]	Natural Brass or Chrome Plated			
Cover Plate Finish	Painted White or Chrome Plated or Color Coated In Any Color			
Listings and Approvals ⁶	UL(United States)			



SE001H / SE002H HORIZONTAL SIDEWALL SPRINKLER HEAD STANDARD SPRAY / QUICK RESPONSE



Nominal Discharge curve:

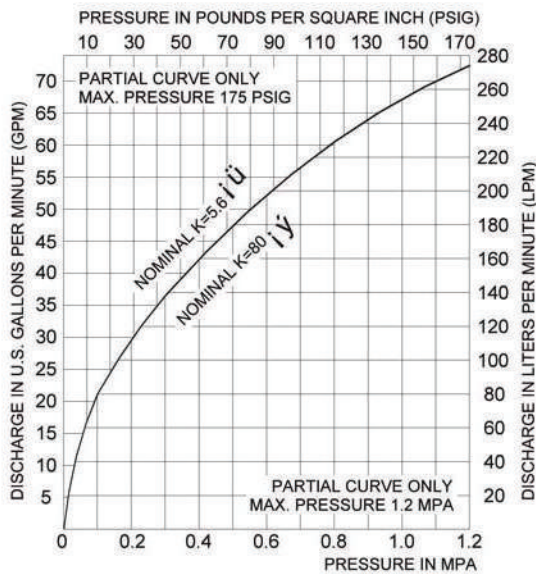
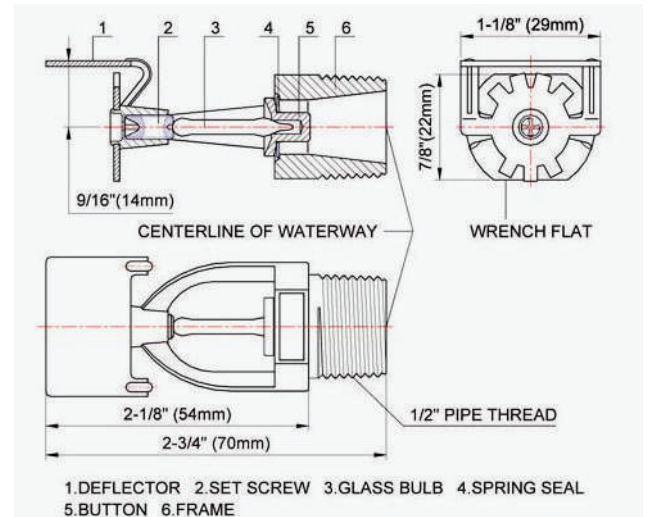


FIGURE B : NOMINAL DISCHARGE CURVE

Dimensions:



Technical Specification:

Model & Sprinkler I.D. No. ¹	SE001H		SE002H	
Style	Horizontal Sidewall			
Response & Bulb Nominal Dia.	Standard Response, Ø5mm		Quick Response, Ø3mm	
Temp. Classification	Ordinary	Ordinary	Intermediate	Intermediate
Nominal Temp. Rating	135°F / 57°C	155°F / 68°C	175°F / 79°C	200°F / 93°C
Max. Ambient Temp. Allowed ²	115°F / 46°C	135°F / 57°C	155°F / 68°C	180°F / 82°C
Max. Recommended Ambient Temp. ³	100°F / 38°C	100°F / 38°C	150°F / 65°C	150°F / 65°C
Glass Bulb Color ⁴	Orange	Red	Yellow	Green
Thread Size [Optional]	<input type="checkbox"/> NPT1/2 or <input type="checkbox"/> R1/2 ⁵			
Nominal Orifice Size	1/2 Inch			
Nominal K-Factor ¹	5.6 (U.S.) / 80 (metric)			
Max. Working Pressure	175 psig / 1.2 MPa (12 bar)			
Factory Hydrostatic Test	100% @ 500psig (3.4 MPa)			
Min. Operating Pressure	7 psig / 0.048 MPa (0.48 bar)			
Sprinkler Finish [Optional]	<input type="checkbox"/> Natural Brass or <input type="checkbox"/> Chrome Plated			
Listings and Approvals ⁶	UL(United States)			



Sprinkler System

SE003U / SE004U UPRIGHT SPRINKLER HEAD STANDARD SPRAY / QUICK RESPONSE



Nominal Discharge curve:

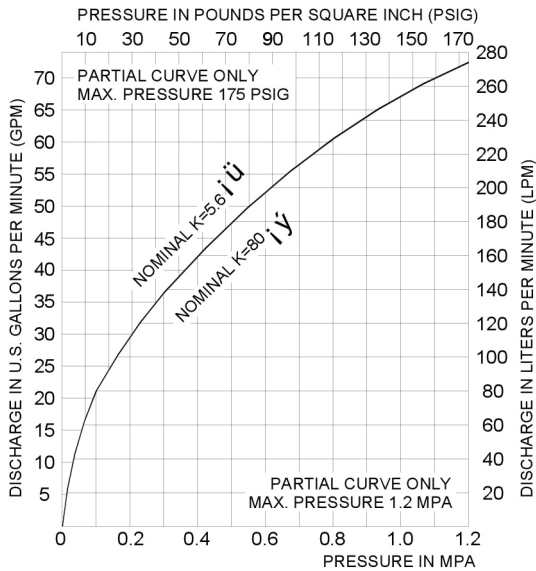
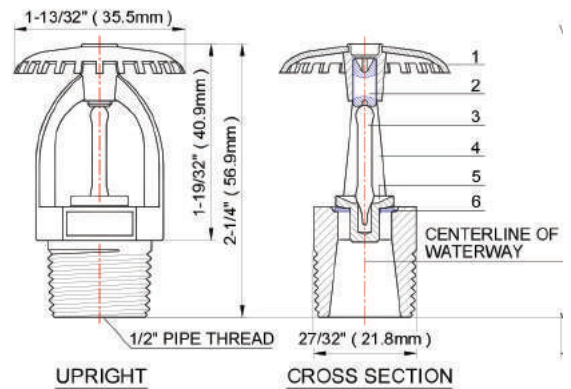


FIGURE B : NOMINAL DISCHARGE CURVE

Dimensions:



Technical Specification:

Model & Sprinkler I.D. No. ¹	SE003U	SE004U
Style	Upright	
Response & Bulb Nominal Dia.	Standard Response, Ø5mm	Quick Response, Ø3mm
Temp. Classification	Ordinary	Ordinary
Nominal Temp. Rating	135 57	155 79 / 68

Max. Ambient Temp. Allowed ²	115 46	135 57
Max. Recommended Ambient Temp. ³	100 38	100 38
Glass Bulb Color ⁴	Orange	Red

Thread Size [Optional]	NPT1/2 or R1 2 ⁵
Nominal Orifice Size	1/2 Inch
Nominal K-Factor ¹	5.6 (U.S.) 80 (metric)
Max. Working Pressure	175 psig 1.2 MPa (12 bar)
Factory Hydrostatic Test	100% @ 500psig (3.4 MPa)
Min. Operating Pressure	7 psig 0.048 MPa (0.48 bar)
Sprinkler Finish [Optional]	Natural Brass or Chrome Plated
Escutcheon Finish	Chrome Plated or Color Coated In Any Color
Listings and Approvals ⁶	UL(United States)



SE005P / SE006P PENDENT SPRINKLER HEAD STANDARD SPRAY / QUICK RESPONSE

Nominal Discharge curve:

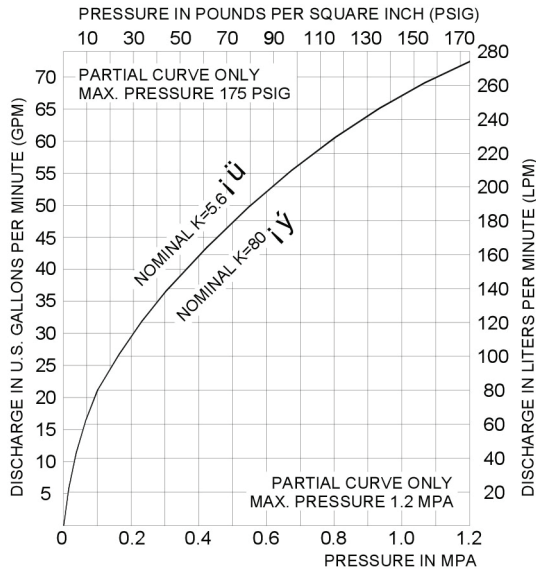
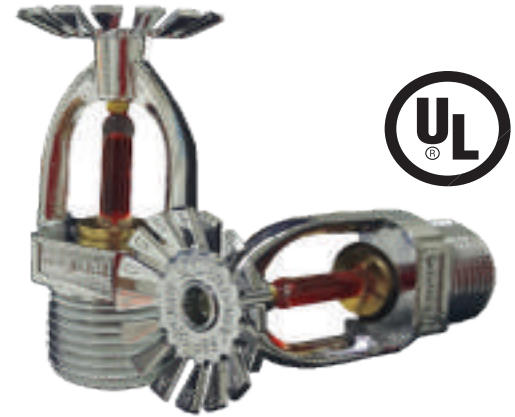
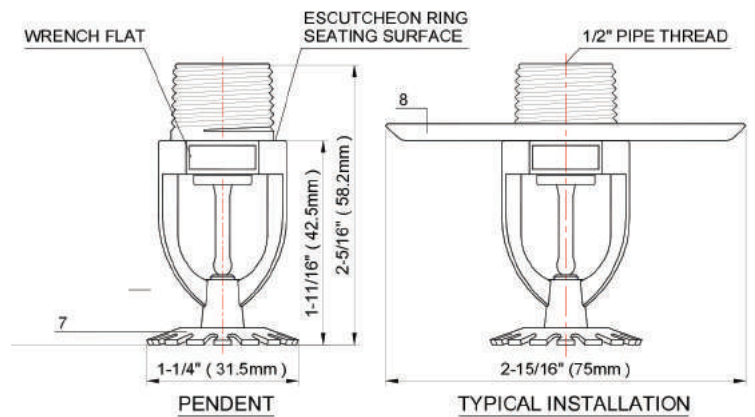


FIGURE B : NOMINAL DISCHARGE CURVE



Dimensions:



Technical Specification:

Model & Sprinkler I.D. No. ¹	SE005P		SE006P	
Style	Pendent			
Response & Bulb Nominal Dia.	Standard Response, Ø5mm		Quick Response, Ø3mm	
Temp. Classification	Intermediate		Intermediate	
Nominal Temp. Rating	175	79	200	93
Max. Ambient Temp. Allowed ²	155	68	180	82
Max. Recommended Ambient Temp. ³	150	65	150	65
Glass Bulb Color ⁴	Yellow		Green	

Thread Size [Optional]	NPT1/2 or R1 2 ⁵
Nominal Orifice Size	1/2 Inch
Nominal K-Factor ¹	5.6 (U.S.) 80 (metric)
Max. Working Pressure	175 psig 1.2 MPa (12 bar)
Factory Hydrostatic Test	100% @ 500psig (3.4 MPa)
Min. Operating Pressure	7 psig 0.048 MPa (0.48 bar)
Sprinkler Finish [Optional]	Natural Brass or Chrome Plated
Escutcheon Finish	Chrome Plated or Color Coated In Any Color
Listings and Approvals ⁶	UL(United States)